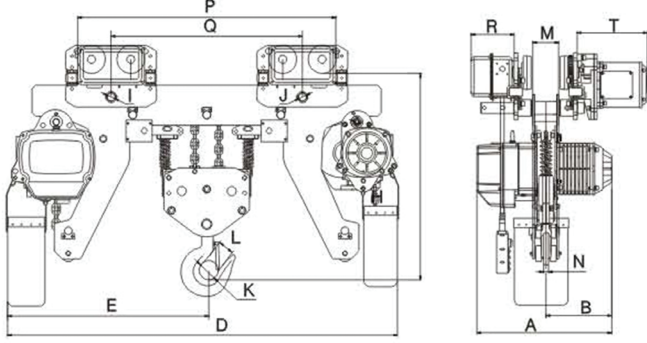




YANDAN ASKILI MONORAY VİNÇLER LOW - HEADROOM ELECTRIC CHAIN HOISTS

500 kg. - 10 ton



TEKNİK PARAMETRELER (TEK HIZLI ÇİFT HIZLI) / TECHNICAL PARAMETERS (SINGLE-DOUBLE SPEED)

MODEL TYPE	KAPASİTE CAPACITY	KALDIRMA HIZI LIFTING SPEED (m/min.)	KALDIRMA MOTORU / LIFTING MOTOR				YÜRÜTME MOTORU / OPERATION MOTOR				DONAM CHAIN FALL	ZİNCİR ÖLÇÜSÜ CHAIN SPECIFICATION	TEST YÜKÜ TEST LOAD	KİRİŞ ÖLÇÜSÜ I BEAM	EXTRA MT. WEIGHT ADDED 1 M. HIGHER			
			GÜÇ POWER	DEVİR/ DAK. ROTATION SPEED	ENERJİ FAZ PHASES	VOLTAJ VOLTAGE (HZ.)	GÜÇ POWER	DEVİR/ DAK. ROTATION SPEED	YÜRÜTME HIZI OPERATION SPEED	ENERJİ FAZ PHASES						VOLTAJ VOLTAGE (HZ.)		
WBH-00501SL	0,5	6.8	0.75	1440	3	200-460	50/60	0,4	1440	12,2	3	200-460	50/60	1	Φ 6.3	0.625	60-190	0.81
WBH-01001SL	1	6.6	1.5	1440	3	200-460	50/60	0,4	1440	11/21	3	200-460	50/60	1	Φ 7.1	1.25	60-190	1.1
WBH-01501SL	1.5	8.8	3.0	1440	3	200-460	50/60	0,4	1440	11/21	3	200-460	50/60	1	Φ 10.0	1.875	82-228	2.3
WBH-02001SL	2	6.6	3.0	1440	3	200-460	50/60	0,4	1440	11/21	3	200-460	50/60	1	Φ 10.0	2.5	82-228	2.3
WBH-02002SL	2	3.3	1.5	1440	3	200-460	50/60	0,4	1440	11/21	3	200-460	50/60	2	Φ 7.1	2.5	82-228	2.2
WBH-03001SL	3	5.4	3.0	1440	3	200-460	50/60	0,75	1440	11/21	3	200-460	50/60	1	Φ 11.2	3.75	82-228	2.8
WBH-03002SL	3	4.4	3.0	1440	3	200-460	50/60	0,75	1440	11/21	3	200-460	50/60	2	Φ 10.0	3.75	82-228	4.7
WBH-05002SL	5	2.7	3.0	1440	3	200-460	50/60	0,75	1440	11/21	3	200-460	50/60	2	Φ 11.2	6.25	100-256	5.6
WBH-07503SL	7.5	1.8	3.0	1440	3	200-460	50/60	0,75	1440	11/21	3	200-460	50/60	3	Φ 11.2	9.4	100-256	8.4
WBH-10004SL	10	2.7	3.0X2	1440	3	200-460	50/60	0,75	1440	11/21	3	200-460	50/60	4	Φ 11.2	12.5	120-294	11
WBH-00501DL	0.5	6.9/2.3	0.8/0.3	2890/980	3	200-460	50/60	0,4	1440	11/21	3	200-460	50/60	1	Φ 6.3	0.625	60-190	0.81
WBH-01001DL	1	6.9/2.3	1.8/0.6	2890/980	3	200-460	50/60	0,4	1440	11/21	3	200-460	50/60	1	Φ 7.1	1.25	60-190	1.1
WBH-01501DL	1.5	9.0/3.0	3.0/1.0	2890/980	3	200-460	50/60	0,4	1440	11/21	3	200-460	50/60	1	Φ 10.0	1.875	82-228	2.3
WBH-02001DL	2	6.9/2.3	3.0/1.0	2890/980	3	200-460	50/60	0,4	1440	11/21	3	200-460	50/60	1	Φ 10.0	2.5	82-228	2.3
WBH-02002DL	2	3.4/1.1	1.8/0.6	2890/980	3	200-460	50/60	0,4	1440	11/21	3	200-460	50/60	2	Φ 7.1	2.5	82-228	2.2
WBH-03001DL	3	5.4/1.8	3.0/1.0	2890/980	3	200-460	50/60	0,75	1440	11/21	3	200-460	50/60	1	Φ 11.2	3.75	82-228	2.8
WBH-03002DL	3	4.5/1.5	3.0/1.0	2890/980	3	200-460	50/60	0,75	1440	11/21	3	200-460	50/60	2	Φ 10.0	3.75	82-228	4.7
WBH-05002DL	5	2.7/0.9	3.0/1.0	2890/980	3	200-460	50/60	0,75	1440	11/21	3	200-460	50/60	2	Φ 11.2	6.25	100-256	5.6
WBH-07503DL	7.5	1.8/0.6	3.0/1.0	2890/980	3	200-460	50/60	0,75	1440	11/21	3	200-460	50/60	3	Φ 11.2	9.4	100-256	8.4
WBH-10004DL	10	2.7/0.9	3.0X2/1.0X2	2890/980	3	200-460	50/60	0,75	1440	11/21	3	200-460	50/60	4	Φ 11.2	12.5	120-294	11

ÖLÇÜ BİLGİLERİ / SIZE SPECIFICATION

MODEL TYPE	H	A	B	D	E	I	J	K	L	M	N	P	Q	R	T
WBH-00501SL	440	460	230	/	/	Φ 31	Φ 31	Φ 35	25	52	17	585	400	142	231
WBH-01001SL	480	520	260	/	/	Φ 31	Φ 31	Φ 40	31	56	22	630	445	142	231
WBH-01501SL	570	615	295	/	/	Φ 31	Φ 36	Φ 47	38	66	30	720	505	142	231
WBH-02001SL	570	615	295	/	/	Φ 31	Φ 36	Φ 47	38	66	30	720	505	142	231
WBH-02002SL	535	520	260	/	/	Φ 31	Φ 36	Φ 47	38	56	30	665	445	142	231
WBH-03001SL	640	615	295	/	/	Φ 36	Φ 43	Φ 58	47	73	36	775	526	142	231
WBH-03002SL	685	615	295	/	/	Φ 36	Φ 43	Φ 58	47	66	36	750	503	142	231
WBH-05002SL	740	615	295	/	/	Φ 43	Φ 54	Φ 60	48	73	43	825	541	142	231
WBH-07503SL	890	615	295	/	/	Φ 43	Φ 54	Φ 85	80	73	55	1020	730	142	231
WBH-10004SL	880	630	315	1640	820	Φ 54	Φ 54	Φ 85	80	85	55	926	630	142	231
WBH-00501DL	440	545	260	/	/	Φ 31	Φ 31	Φ 35	25	52	17	585	400	142	231
WBH-01001DL	480	582	280	/	/	Φ 31	Φ 31	Φ 40	31	56	22	630	445	142	231
WBH-01501DL	570	670	313	/	/	Φ 31	Φ 36	Φ 47	38	66	30	720	505	142	231
WBH-02001DL	570	670	313	/	/	Φ 31	Φ 36	Φ 47	38	66	30	720	505	142	231
WBH-02002DL	535	582	280	/	/	Φ 31	Φ 36	Φ 47	38	56	30	665	445	142	231
WBH-03001DL	640	670	313	/	/	Φ 36	Φ 43	Φ 58	47	73	36	775	526	142	231
WBH-03002DL	685	670	313	/	/	Φ 36	Φ 43	Φ 58	47	66	36	750	503	142	231
WBH-05002DL	740	670	313	/	/	Φ 43	Φ 54	Φ 60	48	73	43	825	541	142	231
WBH-07503DL	890	670	313	/	/	Φ 43	Φ 54	Φ 85	80	73	55	1020	730	142	231
WBH-10004DL	880	670	388	1640	820	Φ 54	Φ 31	Φ 85	80	85	55	926	630	142	231